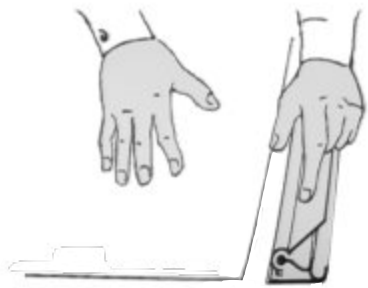
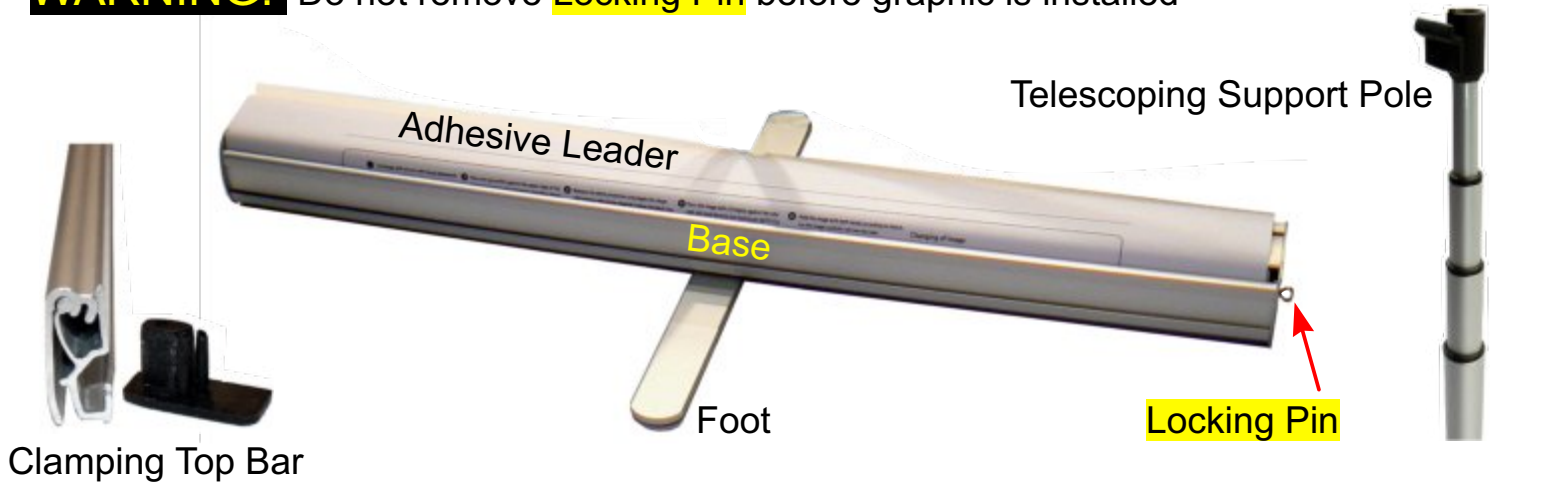
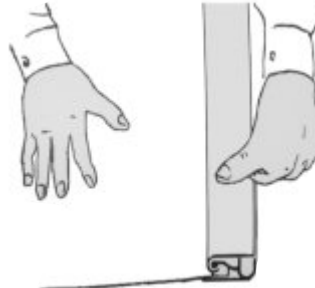


ROLLSC-39T - 10-Foot Tall Roll Up Installation

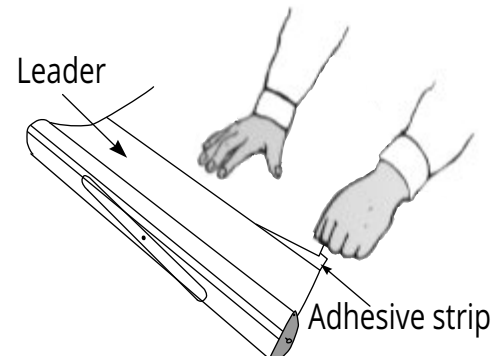
WARNING: Do not remove **Locking Pin** before graphic is installed



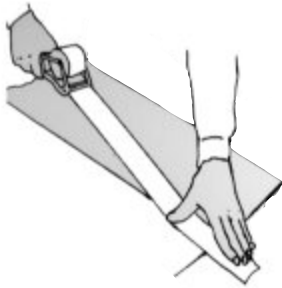
1. Open the clamping top bar by pulling the the flat front piece up and away from the back piece. This opens a slot along the bottom.



2. Carefully line up the print with the Top Bar on a table and slide the print into the open slot. Push down on the Top Bar to clamp.



3. Make sure the print is cut straight on the bottom, then adhere it evenly to the white plastic Leader.



4. IMPORTANT: Reinforce the included Adhesive Strip by using a 2" packing tape, half on the print and half on the Leader.

5. With one hand, hold the banner in place against the stand. Remove the Locking Pin from the side.

6. The inner spring is now armed, and will pull the banner into the base with great force. Carefully guide the print in with a hand on each side.

SETUP:

1. Swivel Foot out.
2. Screw Support Pole onto foot.
3. Pull up Top Bar and hook to the top of the Support Pole.
4. Telescope Support Pole up to the desired height.

